

TUNGSTEN HALOGEN LAMPS • MR-16 REFLECTOR

JCR SERIES

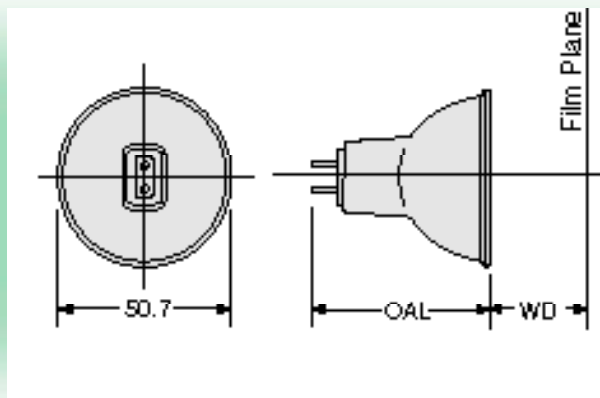
- Focused Beam for Optical Applications
- Only for Use in Approved Enclosed Halogen Fixtures
- 2-Pin Base
- 50mm Dichroic Coated Reflector

- Operate Base Down to Horizontal



| Watts | Ushio Ordering Code | Ushio Lamp Code | Dimensions | Reflector Type | Filament Type | Working Distance mm | Luminous Intensity cd | Center Screen Illuminance lx | Color Temp K | Avg Life h | Burn Position |
|--------------------------------|---------------------|-----------------------|------------|----------------|---------------|---------------------|-----------------------|------------------------------|--------------|------------|---------------|
| | | | OAL mm | | | | | | | | |
| 2-Pin Base – GX5.3 Base | | | | | | | | | | | |
| 30 | 1000315 | EKZ, JCR10.8V-30W | 44.5 | Specular | CC-6 | 38.1 | — | 400 | 3100 | 200 | BD/Hor |
| 35 | 1000344 | EPN, JCR12V-35W | 44.5 | Specular | C-6 | 9.0 | — | 350 | 3300 | 50 | BD/Hor |
| 42 | 1000346 | EPT, JCR10.8V-42W | 44.5 | Faceted | CC-6 | 38.1 | — | 250 | 2900 | 8000 | BD/Hor |
| 50 | 1000335 | ENL, JCR12V-50W | 44.5 | Faceted | C-6 | 38.1 | 2000 | — | 3000 | 4000 | Any |
| 50 | 1000546 | FML, JCR13.8V-50W | 44.5 | Faceted | CC-6 | 214.3 | — | 230 | 3150 | 1000 | Any |
| 50 | 1000197 | DJT, JCR13.8V-50W | 44.5 | Faceted | CC-6 | 152.0 | — | 538 | 3150 | 1000 | BD/Hor |
| 50 | 1000339 | ENZ, JCR30V-50W | 44.5 | Specular | CC-6 | 29.0 | — | 650 | 3400 | 25 | BD/Hor |
| 80 | 1000303 | EJY, JCR19V-80W | 44.5 | Specular | CC-6 | 38.1 | — | — | 3400 | 25 | BD/Hor |
| 80 | 1000307 | EKG, JCR19V-80W | 44.5 | Specular | CC-6 | 44.5 | — | 700 | 3400 | 25 | BD/Hor |
| 80 | 1000336 | ENW/ENC, JCR19V-80W | 44.5 | Specular | CC-6 | 44.5 | — | 600 | 3200 | 400 | BD/Hor |
| 80 | 1000174 | DDM, JCR19V-80W | 44.5 | Faceted | CC-6 | 152.4 | — | 680 | 3350 | 50 | BD/Hor |
| 80 | 1000177 | DDS, JCR21V-80W | 44.5 | Faceted | CC-6 | 165.0 | — | 646 | 3125 | 500 | BD/Hor |
| 80 | 1000312 | EKP, JCR30V-80W | 44.5 | Faceted | CC-6 | 44.5 | — | 750 | 3400 | 25 | BD/Hor |
| 80 | 1000317 | ELB, JCR30V-80W | 44.5 | Specular | CC-6 | 29.0 | — | 900 | 3400 | 15 | BD/Hor |
| 85 | 1000180 | DED, JCR13.8V-85W | 44.5 | Specular | C-8 | 165.0 | — | 1000 | 3150 | 1000 | BD/Hor |
| 90 | 1000347 | EPV, JCR14.5V-90W | 44.5 | Stippled | CC-6 | 155.2 | — | 1345 | 3150 | 500 | BD/Hor |
| 90 | 1000349 | EPX, JCR14.5V-90W | 44.5 | Stippled | CC-6 | 165.1 | — | 538 | 3150 | 500 | BD/Hor |
| 100 | 1000326 | EMC, JCR12V-100W | 44.5 | Faceted | CC-6 | 26.5 | — | — | 3200 | 200 | BD/Hor |
| 100 | 1001630 | EMC/14, JCR13.8V-100W | 44.5 | Faceted | CC-6 | 142.0 | 19000 | — | 3200 | 200 | BD/Hor |
| 100 | 1000420 | EXV, JCR12V-100W | 44.5 | Faceted | C-6 | — | 4500 | — | 3350 | 50 | BD/Hor |
| 120 | 1000311 | EKN, JCR17.7V-120W | 44.5 | Specular | CC-6 | 38.1 | — | 1000 | 3200 | 120 | BD/Hor |

Center Screen Illuminance - Approximate value for reference only



GX5.3

TUNGSTEN HALOGEN LAMPS • MR-16 REFLECTOR

JCR SERIES

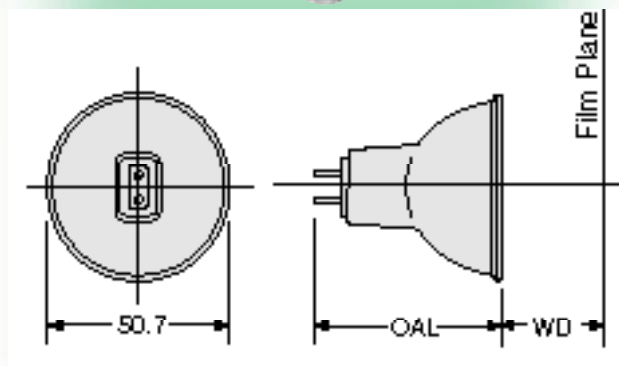
- Focused Beam for Optical Applications
- Only for Use in Approved Enclosed Halogen Fixtures
- 2-Pin Base
- 50mm Dichroic Coated Reflector

- Operate Base Down to Horizontal



| Watts | Ushio Ordering Code | Ushio Lamp Code | Dimensions | Reflector Type | Filament Type | Working Distance mm | Luminous Intensity cd | Center Screen Illuminance lx | Color Temp K | Avg Life h | Burn Position |
|---|---------------------|----------------------|------------|----------------|---------------|---------------------|-----------------------|------------------------------|--------------|------------|---------------|
| | | | OAL mm | | | | | | | | |
| 2-Pin Base – GX5.3 MR-16 Reflector | | | | | | | | | | | |
| 150 | 1000173 | DDL, JCR20V-150W | 44.5 | Faceted | CC-6 | 194.5 | — | 400 | 3150 | 500 | BD/Hor |
| 150 | 1000297 | EJA, JCR21V-150W | 44.5 | Specular | CC-6 | 28.0 | — | — | 3400 | 40 | BD/Hor |
| 150 | 1000301 | EJM, JCR21V-150W | 44.5 | Specular | CC-6 | 38.1 | — | — | 3400 | 40 | BD/Hor |
| 150 | 1000302 | EJV, JCR21V-150W | 44.5 | Specular | CC-6 | 44.5 | — | 1500 | 3400 | 40 | BD/Hor |
| 150 | 1000306 | EKE, JCR21V-150W | 44.5 | Specular | CC-6 | 44.5 | — | 900 | 3250 | 200 | BD/Hor |
| 150 | 1000319 | ELD/EJN, JCR21V-150W | 44.5 | Stippled | CC-6 | 50.8 | — | 320 | 3400 | 40 | BD/Hor |
| 150 | 1002247 | ELD/K, JCR21V-150W | 44.5 | Stippled | CC-6 | 165.0 | — | — | 3400 | 40 | BD/Hor |
| 200 | 1000300 | EJL, JCR24V-200W | 44.5 | Specular | CC-6 | 31.7 | — | 1100 | 3400 | 50 | BD/Hor |
| 200 | 1000314 | EKX, JCR24V-200W | 44.5 | Stippled | CC-6 | 139.7 | — | — | 3400 | 25 | BD/Hor |
| 225 | 1003034 | EZF/K, JCR69V-225W | 44.5 | Faceted | CC-8 | 152.4 | — | 500 | — | 500 | BD/Hor |
| 250 | 1000318 | ELC, JCR24V-250W | 44.5 | Specular | CC-6 | 31.7 | — | 1500 | 3400 | 50 | BD/Hor |
| 250 | 1003106 | ELC-3, JCR24V-250W | 44.5 | Specular | CC-6 | 31.8 | — | 960 | 3400 | 300 | BD/Hor |
| 250 | 1003264 | ELC-5, JCR24V-250W | 44.5 | Specular | CC-6 | 31.8 | — | 960 | 3400 | 500 | BD/Hor |
| 250 | 1001037 | ELC/C, JER24V-250W | 44.5 | Specular | CC-6 | 31.8 | — | 800 | 3400 | 50 | BD/Hor |
| 340 | 1000353 | ERV, JCR36V-340W | 44.5 | Faceted | CC-8 | 298.5 | — | — | 3300 | 75 | BD/Hor |

Center Screen Illuminance - Approximate value for reference only



GX5.3

TUNGSTEN HALOGEN LAMPS • MR-16 REFLECTOR

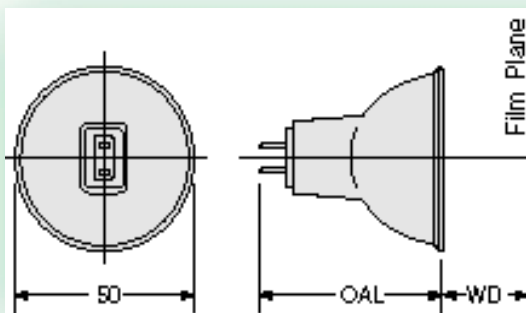
JCR SERIES

- Focused Beam for Optical Applications
- Only for Use in Approved Enclosed Halogen Fixtures
- Oval 2-Pin Base - GY5.3, 2-Pin Base - GZ6.35
- 50mm Dichroic Coated Reflector

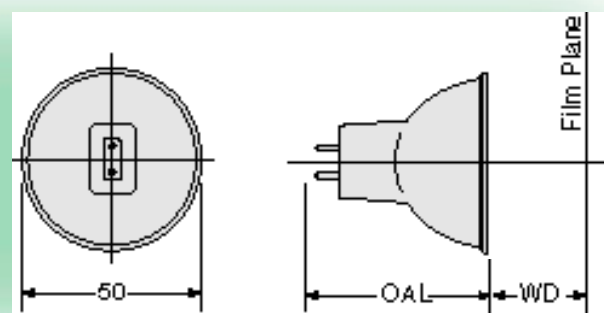
- Operate Base Down to Horizontal



| Watts | Ushio Ordering Code | Ushio Lamp Code | Dimensions | | Reflector Type | Filament Type | Working Distance mm | Color Temp K | Avg Life h | Burn Position |
|--------------------------------|---------------------|----------------------|------------|--------|----------------|---------------|---------------------|--------------|------------|---------------|
| | | | Dia mm | OAL mm | | | | | | |
| Oval 2-Pin Base – GY5.3 | | | | | | | | | | |
| 85 | 1000357 | ESH, JCR82V-85W | 50.67 | 44.5 | Stippled | CC-8 | 152.0 | 2950 | 250 | BD/Hor |
| 85 | 1000358 | ESJ, JER82V-85W | 50.67 | 44.5 | Specular | CC-8 | 32.0 | 3350 | 40 | BD/Hor |
| 150 | 1000356 | ESD, JCR120V-150W | 50.67 | 44.5 | Stippled | CC-8 | 44.5 | 3350 | 12 | BD/Hor |
| 150 | 1000940 | JCR120V-150W/B | 50.67 | 44.5 | Stippled | CC-8 | — | 3050 | 100 | BD/Hor |
| 200 | 1000441 | EYA, JCR82V-200W | 50.67 | 44.5 | Faceted | CC-8 | 38.1 | 3300 | 50 | BD/Hor |
| 250 | 1000386 | EVW, JCR82V-250W | 50.67 | 44.5 | Faceted | CC-8 | 298.5 | 3300 | 50 | BD/Hor |
| 250 | 1000333 | ENH, JCR120V-250W | 50.67 | 44.5 | Faceted | CC-8 | 152.4 | 3250 | 175 | BD/Hor |
| 250 | 1000379 | ETJ, JCR120V-250W | 50.67 | 44.5 | Specular | CC-8 | 36.5 | 3250 | 175 | BD/Hor |
| 250 | 1000422 | EXX, JCR120V-250W | 50.67 | 44.5 | Stippled | CC-8 | 298.5 | 3300 | 75 | BD/Hor |
| 300 | 1000332 | ENG, JCR120V-300W | 50.67 | 44.5 | Stippled | CC-8 | 152.4 | 3450 | 15 | BD/Hor |
| 300 | 1000458 | EYK, JCR120V-300W | 50.67 | 44.5 | Specular | CC-8 | 31.7 | 3300 | 60 | BD/Hor |
| 300 | 1000321 | ELH, JCR120V-300W | 50.67 | 44.5 | Stippled | CC-8 | 154.3 | 3350 | 35 | BD/Hor |
| 300 | 1003020 | ELH-5, JCR125V-300W | 50.67 | 44.5 | Stippled | CC-8 | 152.4 | 3350 | 35 | BD/Hor |
| 360 | 1000542 | FLE, JCR82V-360W U/D | 50.00 | 44.5 | Faceted | CC-8 | 209.6 | 3300 | 75 | BD/Hor |
| 360 | 1000337 | ENX, JCR82V-360W | 50.67 | 44.5 | Faceted | CC-8 | 298.5 | 3300 | 75 | BD/Hor |
| 360 | 1000338 | ENX-5, JCR86V-360W | 50.67 | 44.5 | Faceted | CC-8 | 298.5 | 3300 | 75 | BD/Hor |
| 350 | 1000348 | EPW, JCR100V-360W | 50.67 | 44.5 | Stippled | CC-8 | 298.5 | 3300 | 75 | BD/Hor |
| 410 | 1000636 | FXL, JCR82V-410W | 50.67 | 44.5 | Faceted | CC-8 | 298.5 | 3300 | 75 | BD/Hor |
| 2-Pin Base – GZ6.35 | | | | | | | | | | |
| 55 | 1000945 | JCR9.5V-55W | 50.0 | 42.0 | Specular | C-8 | — | 3000 | 1500 | BD/Hor |
| 75 | 1000270 | EFN, JCR12V-75W | 50.0 | 42.0 | Specular | C-6 | 32.0 | 3400 | 50 | BD/Hor |
| 100 | 1003003 | JCR12V-100W/H10 | 50.0 | 42.0 | Specular | C-8 | 36.0 | 3100 | 1000 | BD/Hor |
| 100 | 1000941 | JCR12V-100WB/XX | 50.0 | 44.5 | Specular | C-6 | 32.0 | 3100 | 1000 | BD/Hor |
| 100 | 1000271 | EFP, JCR12V-100W | 50.0 | 42.0 | Specular | C-6 | 32.0 | 3400 | 50 | BD/Hor |
| 150 | 1000272 | EFR, JCR15V-150W | 50.0 | 42.0 | Specular | C-8 | 32.0 | 3400 | 50 | BD/Hor |



GY5.3



GZ6.35

TUNGSTEN HALOGEN LAMPS • MR-16 REFLECTOR

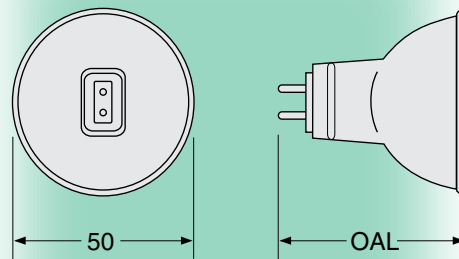
JR 12V SERIES - EUROSTAR™

- Only for Use in Approved Halogen Fixtures
- Titanium Oxide Coated Reflector
- Axial Filament
- Low Voltage - 12 Volts

- Consistent Color
- Integrated UV Protection
- Precisely Focused Light Cone
- Cool Beam Effect
- Available with Front Glass Cover (/FG)



| Watts | Ushio Ordering Code | Ushio Lamp Code | Dimension | Filament | Beam | | Color Temp K | Avg Life h | Burn Position |
|---------------------------|---------------------|-------------------------------|-----------|----------|-------|-----------|--------------|------------|---------------|
| | | | OAL mm | Type | Angle | Max CP cd | | | |
| 2-Pin Base – GU5.3 | | | | | | | | | |
| 10 | 1001107 | JR12V-10W/NFL21 | 44.9 | C-8 | 21° | 600 | 2800 | 1500 | Any |
| 10 | 1001108 | JR12V-10W/NFL21/FG | 44.9 | C-8 | 21° | 600 | 2800 | 1500 | Any |
| 10 | 1003154 | JR12V-10W/FL32 | 45.2 | C-8 | 32° | 400 | 2800 | 1500 | Any |
| 20 | 1000366 | ESX, JR12V-20W/SP12 | 44.9 | C-8 | 12° | 3500 | 2950 | 5000 | Any |
| 20 | 1000370 | ESX/FG, JR12V-20W/SP12/FG | 45.2 | C-8 | 12° | 3500 | 2950 | 5000 | Any |
| 20 | 1000028 | BBF, JR12V-20W/NFL24 | 44.9 | C-8 | 24° | 1200 | 2950 | 5000 | Any |
| 20 | 1000037 | BBF/FG, JR12V-20W/NFL24/FG | 45.2 | C-8 | 24° | 1200 | 2950 | 5000 | Any |
| 20 | 1000000 | BAB, JR12V-20W/FL36 | 44.9 | C-8 | 36° | 600 | 2950 | 5000 | Any |
| 20 | 1000014 | BAB/FG, JR12V-20W/FL36/FG | 45.2 | C-8 | 36° | 600 | 2950 | 5000 | Any |
| 20 | 1000001 | BAB/60, JR12V-20W/WFL60 | 44.9 | C-8 | 60° | 270 | 2950 | 5000 | Any |
| 20 | 1000004 | BAB/60/FG, JR12V-20W/WFL60/FG | 45.2 | C-8 | 60° | 2700 | 2950 | 5000 | Any |
| 35 | 1000548 | FMT/FRB, JR12V-35W/SP12 | 44.9 | C-8 | 12° | 6000 | 2950 | 5000 | Any |
| 35 | 1000551 | FMT/FG, JR12V-35W/SP12/FG | 45.2 | C-8 | 12° | 6000 | 2950 | 5000 | Any |
| 35 | 1000552 | FMV/FRA, JR12V-35W/NFL24 | 44.9 | C-8 | 24° | 2300 | 2950 | 5000 | Any |
| 35 | 1000559 | FMV/FG, JR12V-35W/NFL24/FG | 45.2 | C-8 | 24° | 2300 | 2950 | 5000 | Any |
| 35 | 1000564 | FMW, JR12V-35W/FL36 | 44.9 | C-8 | 36° | 1300 | 2950 | 5000 | Any |
| 35 | 1000573 | FMW/FG, JR12V-35W/FL36/FG | 45.2 | C-8 | 36° | 1300 | 2950 | 5000 | Any |
| 35 | 1000565 | FMW/60, JR12V-35W/WFL60 | 44.9 | C-8 | 60° | 510 | 2950 | 5000 | Any |
| 35 | 1000566 | FMW/60/FG, JR12V-35W/WFL60/FG | 45.2 | C-8 | 60° | 510 | 2950 | 5000 | Any |
| 50 | 1000416 | EXT, JR12V-50W/SP12 | 44.9 | C-8 | 12° | 11000 | 3000 | 5000 | Any |
| 50 | 1000419 | EXT/FG, JR12V-50W/SP12/FG | 45.2 | C-8 | 12° | 11000 | 3000 | 5000 | Any |
| 50 | 1000424 | EXZ, JR12V-50W/NFL24 | 44.9 | C-8 | 24° | 3600 | 3000 | 5000 | Any |
| 50 | 1000430 | EXZ/FG, JR12V-50W/NFL24/FG | 45.2 | C-8 | 24° | 3600 | 3000 | 5000 | Any |
| 50 | 1000398 | EXN, JR12V-50W/FL36 | 44.9 | C-8 | 36° | 2000 | 3000 | 5000 | Any |
| 50 | 1000405 | EXN/FG, JR12V-50W/FL36/FG | 45.2 | C-8 | 36° | 2000 | 3000 | 5000 | Any |
| 50 | 1000589 | FNV, JR12V-50W/WFL60 | 44.9 | C-8 | 60° | 850 | 3000 | 5000 | Any |
| 50 | 1000592 | FNV/FG, JR12V-50W/WFL60/FG | 45.2 | C-8 | 60° | 850 | 3000 | 5000 | Any |



GU5.3

TUNGSTEN HALOGEN LAMPS • MR-16 REFLECTOR

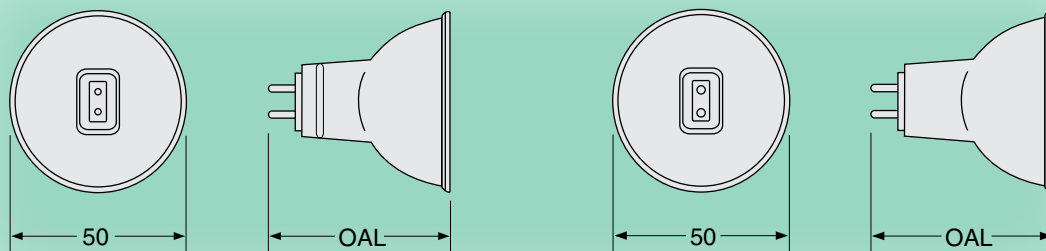
JR 12V & 24V SERIES - EUROSTAR™

- Only for Use in Approved Halogen Fixtures
- 50mm Diameter Dichroic Coated Reflector
- 2-Pin Base
- 12 & 24 Volt
- Available with Front Glass Cover (FG)
- Consistent Color



| Watts | Ushio Ordering Code | Ushio Lamp Code | Dimension | Filament | Beam | | Color Temp K | Avg Life h | Burn Position |
|--------------------------------|---------------------|--------------------------------|-----------|----------|-------|-----------|--------------|------------|---------------|
| | | | OAL mm | Type | Angle | Max CP cd | | | |
| 2-Pin Base – GU5.3 | | | | | | | | | |
| 75 | 1000451 | EYF, JR12V-75W/SP12 | 44.9 | C-8 | 12° | 13000 | 3000 | 5000 | Any |
| 75 | 1000452 | EYF/FG, JR12V-75W/SP12/FG | 45.2 | C-8 | 12° | 13000 | 3000 | 5000 | Any |
| 75 | 1000454 | EYJ/EZZ, JR12V-75W/NFL24 | 44.9 | C-8 | 24° | 4800 | 5000 | 5000 | Any |
| 75 | 1000455 | EYJ/EZZ/FG, JR12V-75W/NFL24/FG | 45.2 | C-8 | 24° | 4800 | 3000 | 5000 | Any |
| 75 | 1000444 | EYC, JR12V-75W/FL36 | 44.9 | C-8 | 36° | 2700 | 3000 | 5000 | Any |
| 75 | 1000447 | EYC/FG, JR12V-75W/FL36/FG | 45.2 | C-8 | 36° | 2700 | 5000 | 5000 | Any |
| 75 | 1000445 | EYC/60, JR12V-75W/WFL60 | 44.9 | C-8 | 60° | 1220 | 5000 | 5000 | Any |
| 75 | 1000446 | EYC/60/FG, JR12V-75W/WFL60/FG | 45.2 | C-8 | 60° | 1220 | 3000 | 5000 | Any |
| 24V, 2-Pin Base – GU5.3 | | | | | | | | | |
| 20 | 1001112 | JR24V-20W/SP12 | 44.9 | C-6 | 12° | 3500 | 2900 | 2500 | Any |
| 20 | 1001113 | JR24V-20W/SP12/FG | 45.2 | C-6 | 12° | 3500 | 2900 | 2500 | Any |
| 20 | 1001114 | JR24V-20W/FL36* | 44.9 | C-6 | 36° | 600 | 2900 | 2500 | Any |
| 35 | 1003110 | JR24V-35W/SP12* | 44.9 | C-6 | 12° | 4600 | 2900 | 3500 | Any |
| 35 | 1003111 | JR24V-35W/NFL24* | 44.9 | C-6 | 24° | 1600 | 2900 | 3500 | Any |
| 35 | 1003112 | JR24V-35W/FL36* | 44.9 | C-6 | 36° | 900 | 2900 | 3500 | Any |
| 50 | 1003113 | JR24V-50W/SP12* | 44.9 | C-6 | 12° | 7000 | 2950 | 4000 | Any |
| 50 | 1003114 | JR24V-50W/NFL24* | 44.9 | C-6 | 24° | 2900 | 2950 | 4000 | Any |
| 50 | 1003115 | JR24V-50W/FL36* | 44.9 | C-6 | 36° | 1600 | 2950 | 4000 | Any |
| 2-Pin Base – GX5.3 | | | | | | | | | |
| 35 | 1000600 | FRB, JR12V-35W/NSP, GX5.3 | 46.0 | C-6 | 12° | 7800 | 3000 | 3000 | Any |
| 42 | 1000461 | EYR, JR12V-42W/SP12 | 46.0 | CC-6 | 12° | 9000 | 3000 | 4000 | Any |
| 42 | 1000462 | EYS, JR12V-42W/NFL23 | 46.0 | CC-6 | 23° | 2800 | 3000 | 4000 | Any |
| 42 | 1000460 | EYP, JR12V-42W/FL38 | 46.0 | CC-6 | 38° | 1400 | 3000 | 4000 | Any |
| 65 | 1000595 | FPA, JR12V-65W/SP13 | 46.0 | CC-6 | 13° | 11500 | 3050 | 4000 | Any |
| 65 | 1000596 | FPB, JR12V-65W/FL/FL38 | 46.0 | CC-6 | 38° | 2000 | 3050 | 4000 | Any |

* Front glass versions available



GU5.3

GX5.3